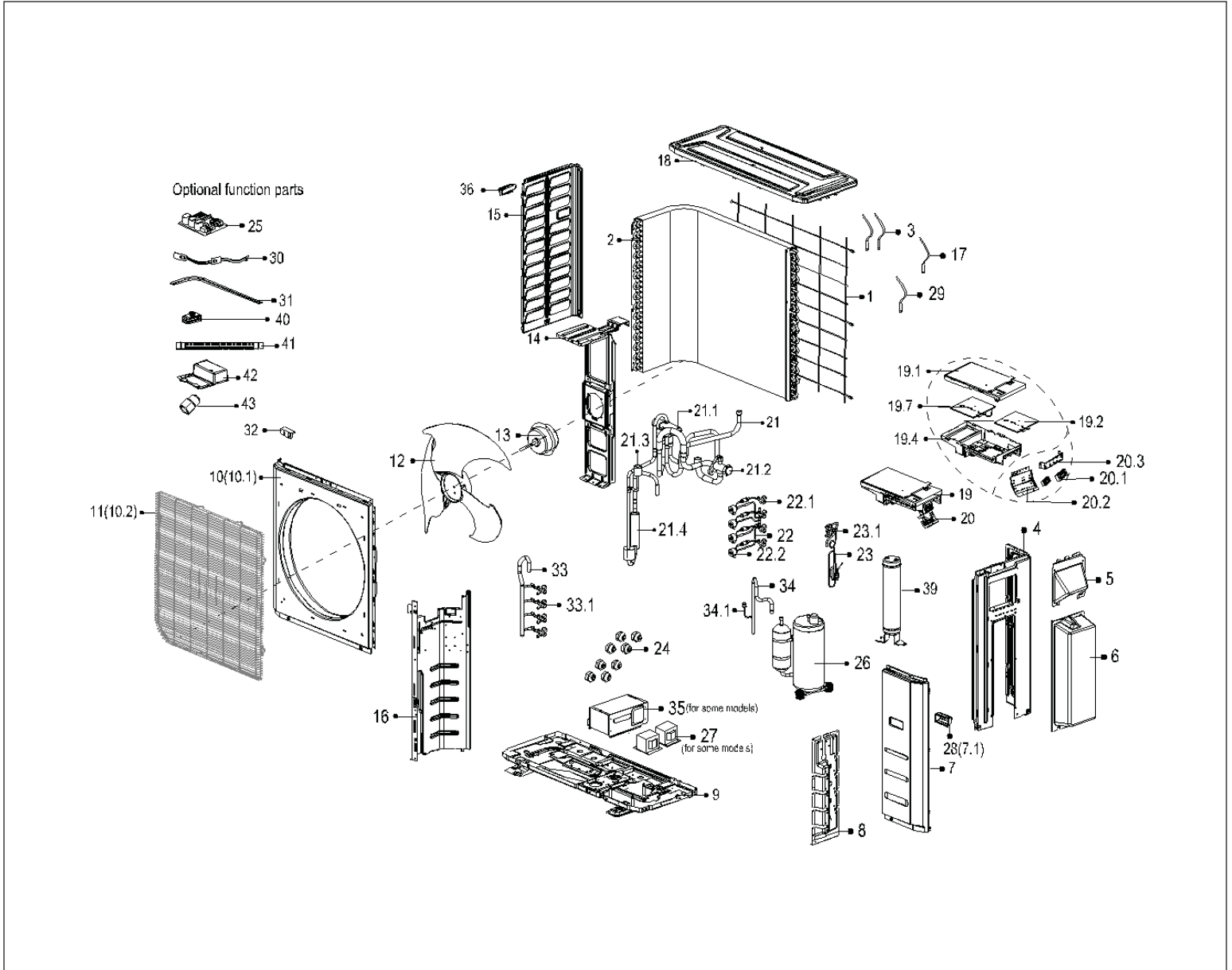


Bosch Climate 5000AA Series

BMS500-AAM027-1CSXXA / BMS500-AAM036-1CSXXA

One-Three & One-Four Split-Type Air Conditioner / Heat Pump



Pos.	Description	Ordering no.			Remarks
			27000 BTU	36000 BTU	
1	Rear net	7738005696	■	■	
2	Condenser assembly	8733945617	■		
2	Condenser Assembly	8733945619		■	
3	Temperature Sensor	7738005669	■	■	
3	Temperature Sensor	8733945534		■	
3	Temperature Sensor	8733945535	■		
4	Rear right clapboard assembly	8733945582	■	■	
5	Big handle	8733945583	■	■	
6	Water collector	8733945555	■	■	
7	Front right clapboard assembly	7738005673	■	■	
8	Valve plate	8733945558	■	■	
9	Chassis assembly	8733945567	■	■	
10	Front panel	7738005676	■	■	
11	Air outlet grille	7738005677	■	■	
12	Axial fan	7738005678	■	■	
13	Brushless DC Motor	7738005679	■	■	
14	Holder for fan motor assembly	7738005680	■	■	
15	Left side plate assembly of cabinet	7738005666	■	■	
16	Separator Assembly	7738005681		■	
16	Separator Assembly	8733945572	■		
17	Room Temperature Sensor	7738005558	■	■	
18	Topcap assembly	7738005682		■	
18	Top cover assembly	8733945586	■		
19	Electronic control box assembly	8733945632	■		
19	E-Parts Box assembly	8733945636		■	
19.1	Electric Installing Box Cover	8733945546	■		
19.1	Electric Installing Box Subassembly	8733945552		■	
19.2	Outdoor main control board assembly	8733945623	■		
19.2	Sticker Subassembly of Outdoor Main Control Board	8733945626		■	
19.2	Outdoor main control board assembly	8733945627	■		
19.4	Electric Installing Box Subassembly	8733945551		■	
19.4	Electric Installing Box	8733945557	■		
19.7	Outdoor Inverter Module Subassembly	8733945629		■	
19.7.1	Radiator	8733945542		■	
20	Terminal board assembly	8733945631	■		
20	Terminal Block Subassembly of Electrical Control Box	8733945635		■	
20.1	Wire holder	8733945641		■	
20.1	Wire holder	8733945642	■		
20.2	Terminal Installing Plate	8733945578	■	■	
20.3	Terminal Installing Plate	8733945577	■	■	
BMS500-AAM027-1CSXXA BMS500-AAM036-1CSXXA					

Pos.	Description	Ordering no.	27000 BTU	36000 BTU			Remarks
21	Gas Valve Assembly	8733945596		■			
21	4-way Valve Assembly	8733945605	■				
21.1	4-ways valve	7738005692	■	■			
21.2	Low Pressure Valve	8733945606	■	■			
21.3	Pressure controller	8733945644		■			
21.4	Muffler	8733945613	■				
22	Liquid valve assembly	8733945597		■			
22	Liquid valve assembly	8733945599	■				
22.1	Liquid valve	7738005578	■	■			
22.2	Electric expansive valve assembly	8733945608	■	■			
23	Liquid valve assembly	8733945595		■			
23	Liquid valve assembly	8733945600	■				
23.1	Liquid valve	8733945607	■	■			
24	Copper nut	7738005556	■	■			
24	Copper nut	7738005557	■	■			
24	Copper nut	7738005595	■	■			
26	Inverter Controlled Rotary Compressor	7738005697	■				
26	DC Inverter Rotary Compressor	8733945531		■			
27	Reactor	7738005698		■			
27	Reactance	8733945639	■				
29	Discharge temperature sensor assembly	7738005699		■			
29	Discharge temperature sensor assembly	8733945538	■				
30	Electrical Heating Tube	8733947975	■	■			
31	Crankcase electric heater	8733945648	■	■			
33	Gas valve assembly	8733945598		■			
33	Gas valve assembly	8733945601	■				
33.1	Low Pressure Valve	7738005574	■	■			
33.1	Low Pressure Valve	7738005606		■			
34	Suction pipe assembly	8733945589		■			
34	Suction pipe assembly	8733945590	■				
34.1	Pressure switch	8733945645		■			
39	Accumulator cylinder	8733945616	■	■			
41	Drain pipe	8733947976	■	■			
43	Transfer connector	8733945612	■	■			
99	Connection cable assembly of compressor	7738005661	■				
99	Connection cable assembly of compressor	7738005700		■			
BMS500-AAM027-1CSXXA BMS500-AAM036-1CSXXA							