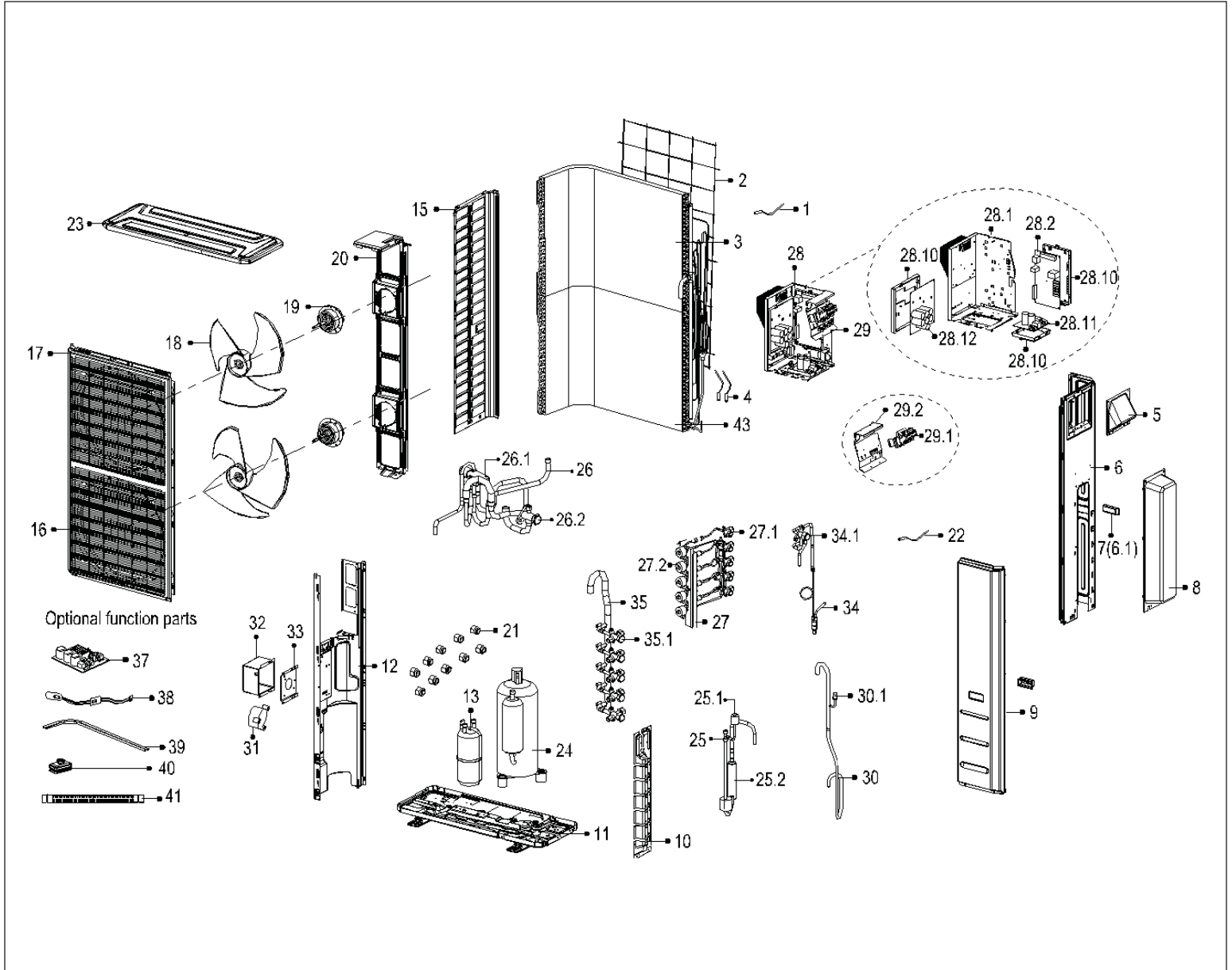


Bosch Climate 5000AA Series BMS500-AAM048-1CSXXA One-Five Split-Type Air Conditioner / Heat Pump



Pos.	Description	Ordering no.	BMS500-AAM048-1CSXXA				Remarks
1	Room Temperature Sensor	7738005558	■				
2	Rear net	8733945570	■				
3	Condenser assembly	8733945620	■				
4	Temperature Sensor	8733945537	■				
4	Temperature Sensor	8733945540	■				
5	Big Handle Subassembly	8733945579	■				
6	Rear right clapboard assembly	8733945568	■				
8	Water collector	8733945548	■				
9	Front clapboard assembly	8733945562	■				
10	Valve plate	8733945566	■				
11	Chassis	8733945565	■				
12	Partition board assembly	8733945559	■				
13	Accumulator cylinder	8733945615	■				
15	Left side plate assembly of cabinet	8733945574	■				
16	Air outlet grille	7738005677	■				
17	Front panel	8733945569	■				
18	Axial fan	8733945545	■				
19	Brushless DC Motor	8733945529	■				
19	Brushless DC Motor	8733945530	■				
20	Supporter assembly of fan motor	8733945563	■				
21	Copper nut	7738005556	■				
21	Copper nut	7738005595	■				
21	Copper nut	7738005557	■				
22	Discharge temperature sensor assembly	8733945536	■				
23	Top cover assembly	8733945573	■				
24	DC Inverter Rotary Compressor	8733945533	■				
25	Compressor exhaust pipe Assembly	8733945587	■				
25.1	Pressure controller	8733945644	■				
25.2	Muffler	8733945614	■				
26	4-way Valve Assembly	8733945593	■				
26.1	4-way valve	8733945611	■				
26.2	Low Pressure Valve	8733945606	■				
27	Liquid valve Assembly	8733945592	■				
27.1	Liquid valve	7738005578	■				
27.2	Electronic expansion valve	8733945609	■				
28	Electronic control box assembly	8733945638	■				
28.1	Installation plate of electric parts	8733945564	■				
28.2	Main control board assembly	8733945628	■				
28.1	Installation box of electric parts	8733945547	■				
28.1	Installation box of electric parts	8733945549	■				
28.1	Installation box of electric parts	8733945550	■				

BMS500-AAM048-1CSXXA

Pos.	Description	Ordering no.	BMS500-AAM048-1CSXXA				Remarks
28.11	Main control board assembly	8733945622	■				
28.12	Main control board assembly	8733945630	■				
29	Terminal Block Subassembly of Electrical Control Box	8733945637	■				
29.1	Wire holder	8733945640	■				
29.1	Wire holder	8733945641	■				
29.1	Wire holder	8733945642	■				
29.2	Terminal Installing Plate	8733945581	■				
30	Compressor suction pipe Assembly	8733945588	■				
30.1	Pressure switch	8733945643	■				
31	PFC Inductor	8733945541	■				
32	Cover of inductance	8733945560	■				
33	Installation base of inductance	8733945561	■				
34	Liquid valve Assembly	8733945591	■				
34.1	Liquid valve	8733945607	■				
35	Low Pressure Valve assembly	8733945594	■				
35.1	Low Pressure Valve	7738005574	■				
35.1	Low Pressure Valve	7738005606	■				
38	Crankshaft Electrical Heating Strip	8733945646	■				
39	Electrical Heating Tube	8733947975	■				
41	Drain pipe	8733947976	■				
43	Condenser assembly	8733945621	■				
BMS500-AAM048-1CSXXA							