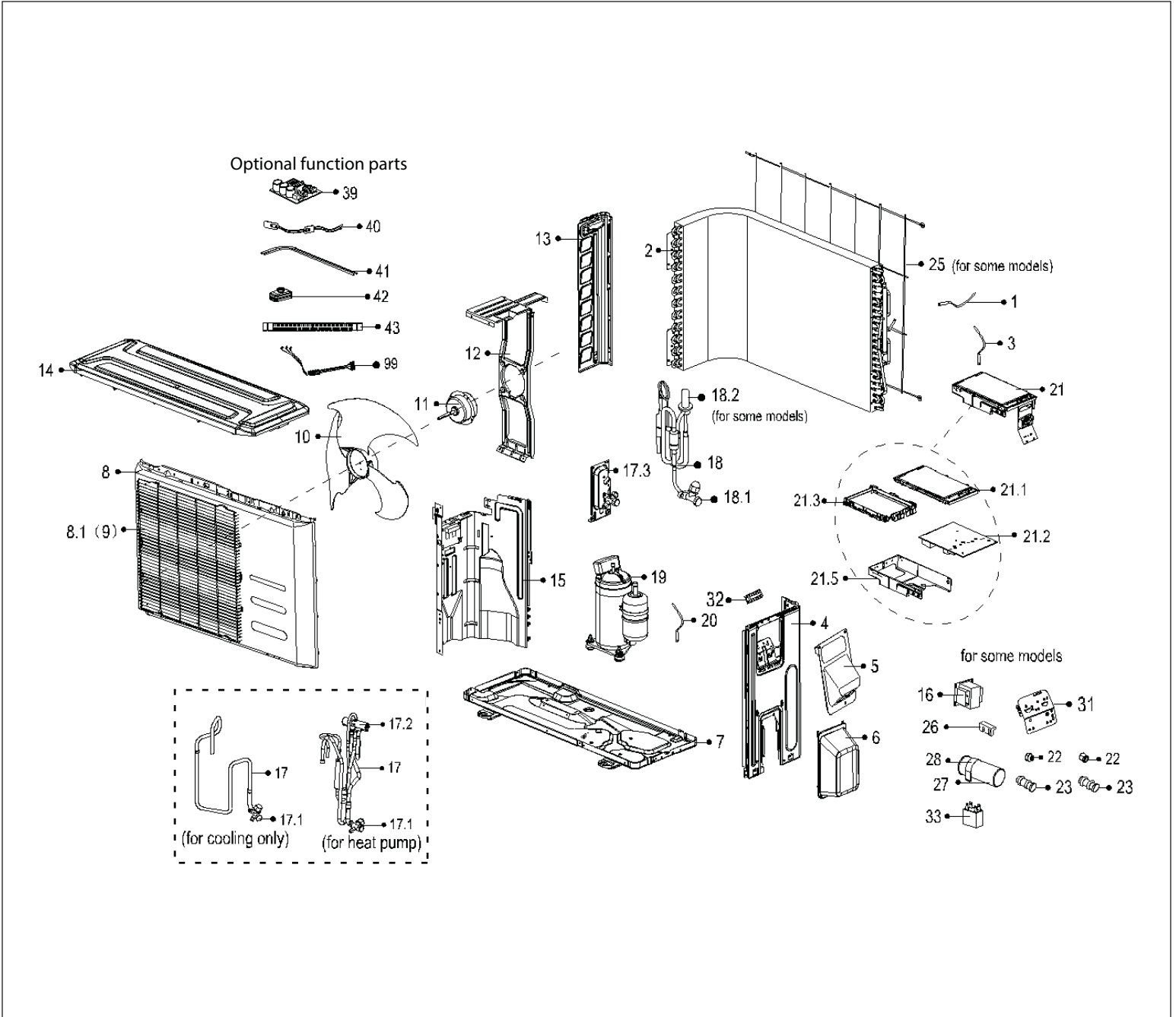


Bosch Climate 5000AA Series

BMS-500-AAS-009-0CS, BMS-500-AAS-009-1CS

Single Zone - Outdoor Units



Pos.	Description	Ordering no.	9000 BTU (115V)	9000 BTU		Remarks
1	Room Temperature Sensor	7738005558	■	■		
2	Condenser Assembly	7738005559	■	■		
3	Pipe temperature sensor assembly	7738005560	■	■		
4	Parts fn Right Side Plate	7738005561	■	■		
5	Big handle	7738005562	■	■		
6	Water Collecting Cover	7738005563	■	■		
7	Chassis Assembly	7738005564	■	■		
8	Front panel	7738005565	■	■		
9	Air outlet grille	7738005566	■	■		
10	Axial fan	7738005567	■	■		
11	Brushless DC Motor	7738005568	■	■		
12	Supporter assembly of fan motor	7738005569	■	■		
13	Left supporter	7738005570	■	■		
14	Top cover assembly	7738005571	■	■		
15	Partition board assembly	7738005572	■	■		
16	Reactor	8733947977	■			
17	4-Ways valve assembly	7738005573		■		
17	4-Ways valve assembly	7738005752	■			
17.1	Low Pressure Valve	7738005574	■	■		
17.2	4-way Valve	7738005575		■		
17.2	4-Ways valve	7738005753	■			
17.3	Installing plate for valves	7738005576	■	■		
18	High-Voltage valve Assembly	7738005577		■		
18	High-Voltage valve Assembly	7738005754	■			
18.1	Liquid valve	7738005578	■	■		
18.2	Electric expansive valve assembly	7738005579		■		
19	Inverter Controlled Rotary Compressor	7738005580	■	■		
20	Discharge temperature sensor assembly	7738005581	■	■		
21	Electronic control box assembly	8733947982		■		
21	Electronic control box assembly	7738005582	■			
21.1	Electric Installing Box Cover	7738005583	■	■		
21.2	Outdoor main control board assembly	8733947983		■		
21.2	Outdoor main control board assembly	7738005584	■			
21.3	Installation board for E-parts	7738005585	■	■		
21.5	Electric Installing Box Subassembly	7738005586	■	■		
25	Rear Net	7738005587	■	■		
27	Compressor Capacitor(Round)	8733947978	■			
28	Capacitor Clamp	8733947979	■			
31	Terminal Installing Plate	7738005588	■	■		
32	Wire holder	7738005755	■			
32	Wire holder	7738005589		■		
BMS-500-AAS-009-0CS, BMS-500-AAS-009-1CS						

