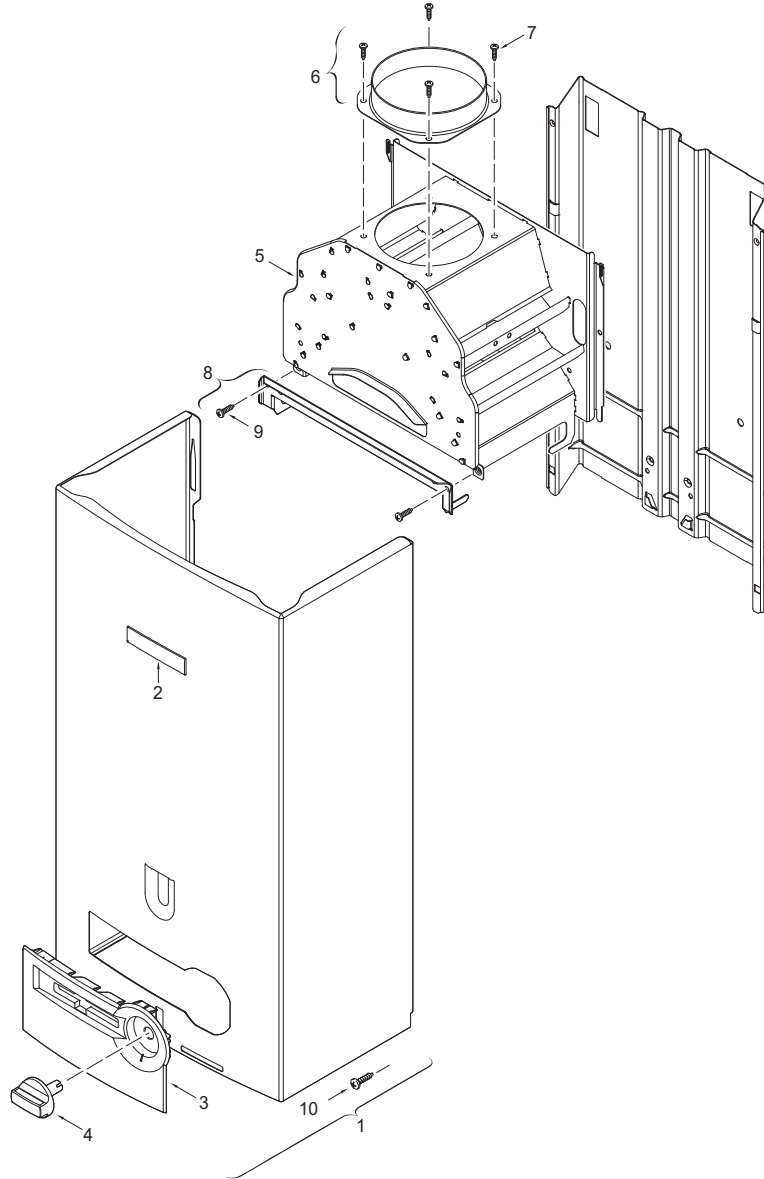




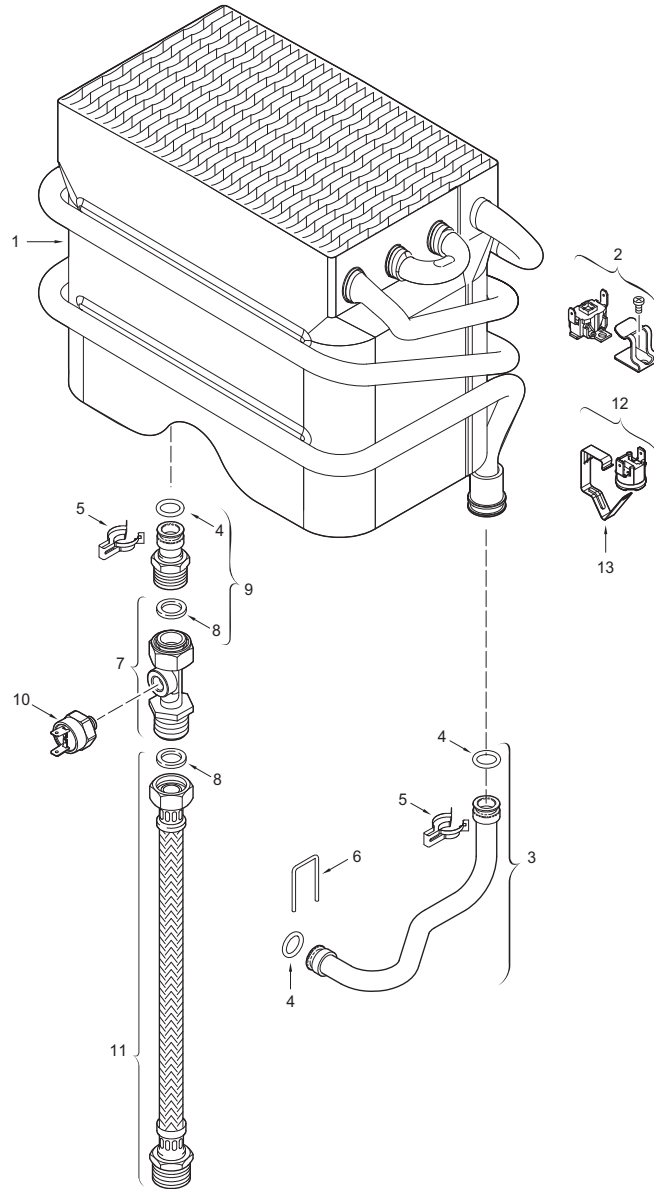
Section 1



Position	Part Number	Description	GWH 260 PN	GWH 425 PN	330 PN	520 PN	Recommended Stocking	
							Distributor	Contractor
1	87054312450	Front shell	•					
1	87054312460	Front shell		•				
1	87054314130	Front shell			•			
1	87054314140	Front cover				•		
2	87011031350	Trade mark badge	•	•	•	•		
3	87055068170	Shield	•	•				
3	87055069110	Shield			•	•		
4	87020002950	Water flow selector handle	•	•	•	•		
5	87055054380	Draught diverter	•		•			
5	87055054420	Draught diverter		•				
6	87055041500	Exhaust pipe union	•		•			
6	87055040460	Exhaust pipe union Ø128		•		•		
7	29181404170	Screw (10x)	•	•	•	•		
8	87080031900	Angle bracket	•	•	•	•		
8	87080031920	Angle bracket		•			•	
9	87034030120	Screw M4,8x9,5 (10x)	•	•	•	•		
10	29106124350	Screw no. 10 x 22mm (10x)	•	•	•	•		

330 / 520 PN GWH 260 / 425 PN

Section 2



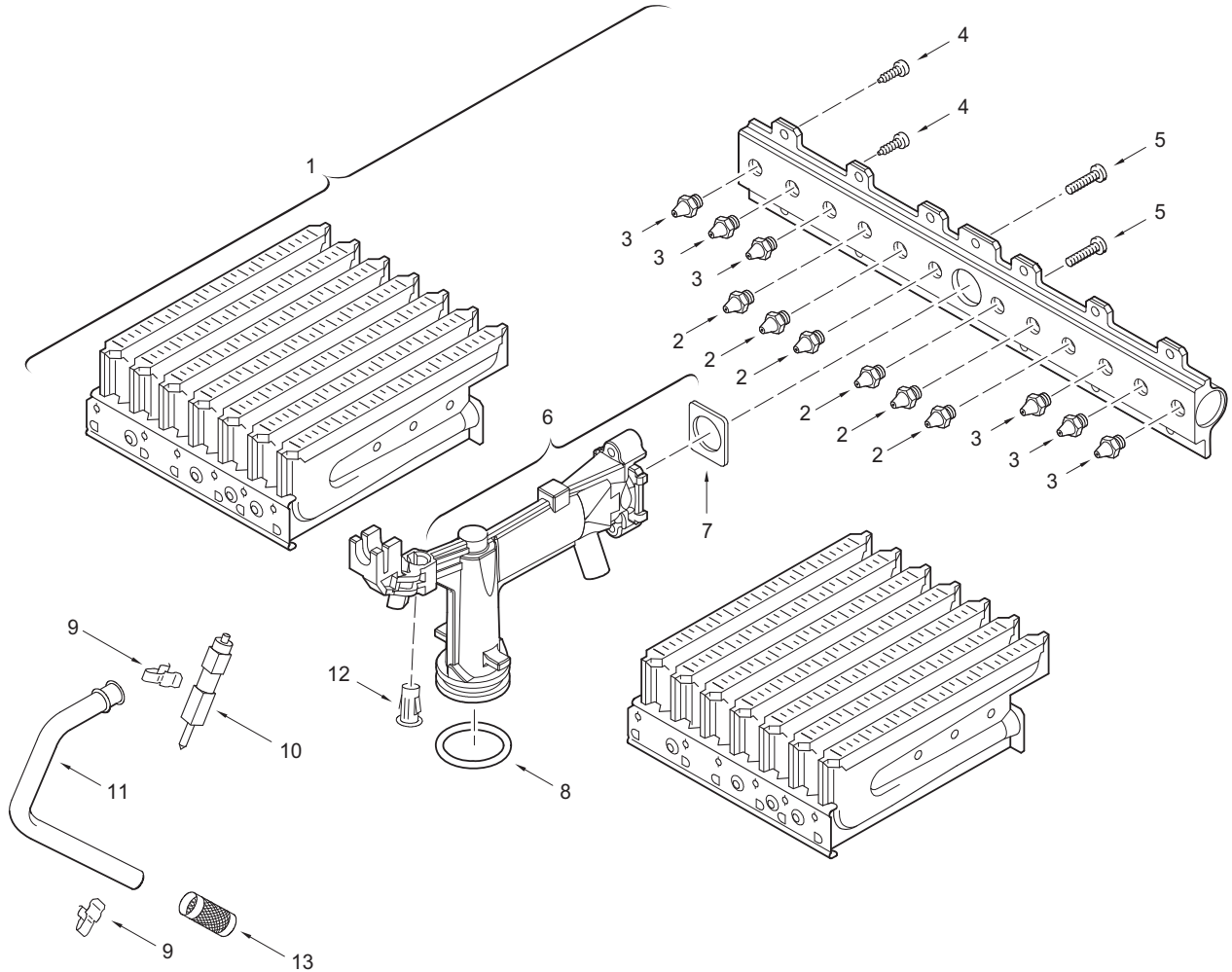
Position	Part Number	Description	GWH 260 PN	GWH 425 PN	330 PN	520 PN	Recommended Stocking	
							Distributor	Contractor
1	87054063840	Heating body	•		•			
1	87054063860	Heating body		•		•		
2	87072061320	Temperature limit 110 dec C.	•	•				
3	87007150360	Cold water pipe	•					
3	87007150610	Cold water pipe		•				
4	87002050230	O-ring (10x)	•	•	•	•		
5	87012010200	Clip (10x)	•	•	•	•		
6	87047050250	Retaining clip	•	•	•	•		
7	87007151780	Hot water pipe	•	•	•	•		
8	87001036580	Washer (10x)	•	•	•	•		
9	87003061870	Connector	•	•	•	•		
10	87072060170	Temperature limit	•	•	•	•		
11	87007031390	Hose	•	•	•	•		
12	87072064350	Temperature limiter/ECO		•				
12	87072064350	Temperature limiter/ECO			•	•		
13	87013000150	Clip for ECO (10x)	•	•	•	•		

330 / 520 PN GWH 260 / 425 PN



BOSCH
Invented for life

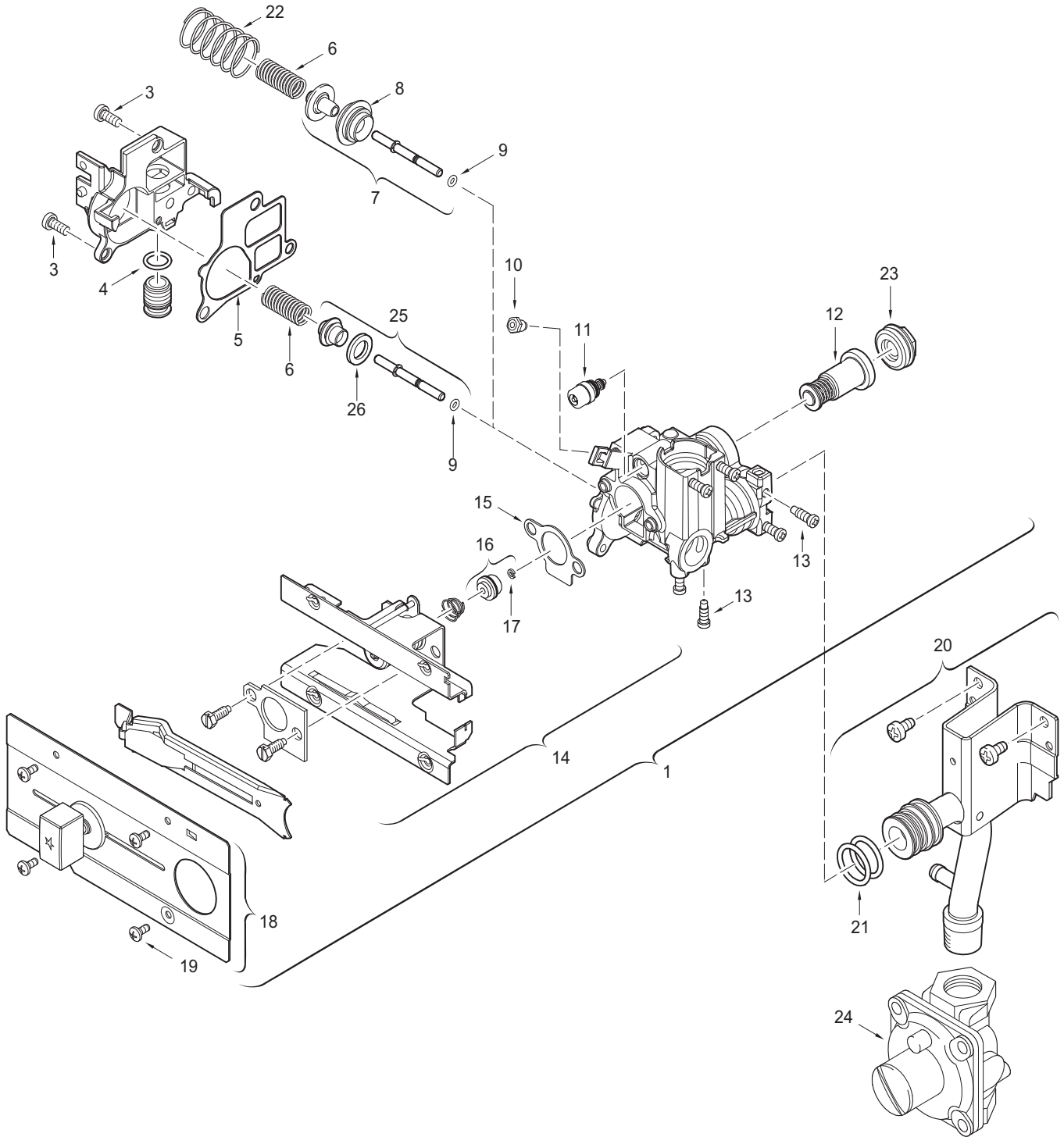
Section 3



Position	Part Number	Description	Gas Type	GWH 260 PN	GWH 425 PN	330 PN	520 PN	Recommended Stocking	
								Distributor	Contractor
1	87081205040	Burner	NG	•		•			
1	87081206170	Burner	LP	•		•			
1	87081206180	Burner	NG		•		•		
1	87081206190	Burner	LP		•		•		
2	87082021130	Nozzle (110) (10x)	NG	•		•			
2	87082021160	Nozzle (125) (10x)	NG		•		•		
2	87082021270	Nozzle (74) (10x)	LP	•		•			
2	87082021390	Nozzle (76) (10x)	LP		•		•		
3	87082021240	Nozzle (120) (10x)	NG	•		•			
3	87082021470	Nozzle (130) (10x)	NG		•		•		
3	87082021490	Nozzle (79) (10x)	LP	•	•	•	•		
4	87034010690	Screw M3,5x10 (10x)		•	•	•	•		
5	29109521220	Screw M4 x 12 phillips (10x)		•	•	•	•		
6	87052090620	Connector		•	•	•	•		
7	87010030100	Washer (10x)		•	•	•	•		
8	87002051360	O-ring (10x)		•	•	•	•		
9	87012010190	Clip (10x)		•	•	•	•		
10	87481070890	Sparking plug		•	•	•	•		
11	87007073690	Pilot gas pipe		•	•	•	•	□	□
12	87406090020	Tube (10x)		•	•	•	•		
13	87005070670	Filter		•	•	•	•		

330 / 520 PN GWH 260 / 425 PN

Section 4



Continued on Page 5

330 / 520 PN GWH 260 / 425 PN



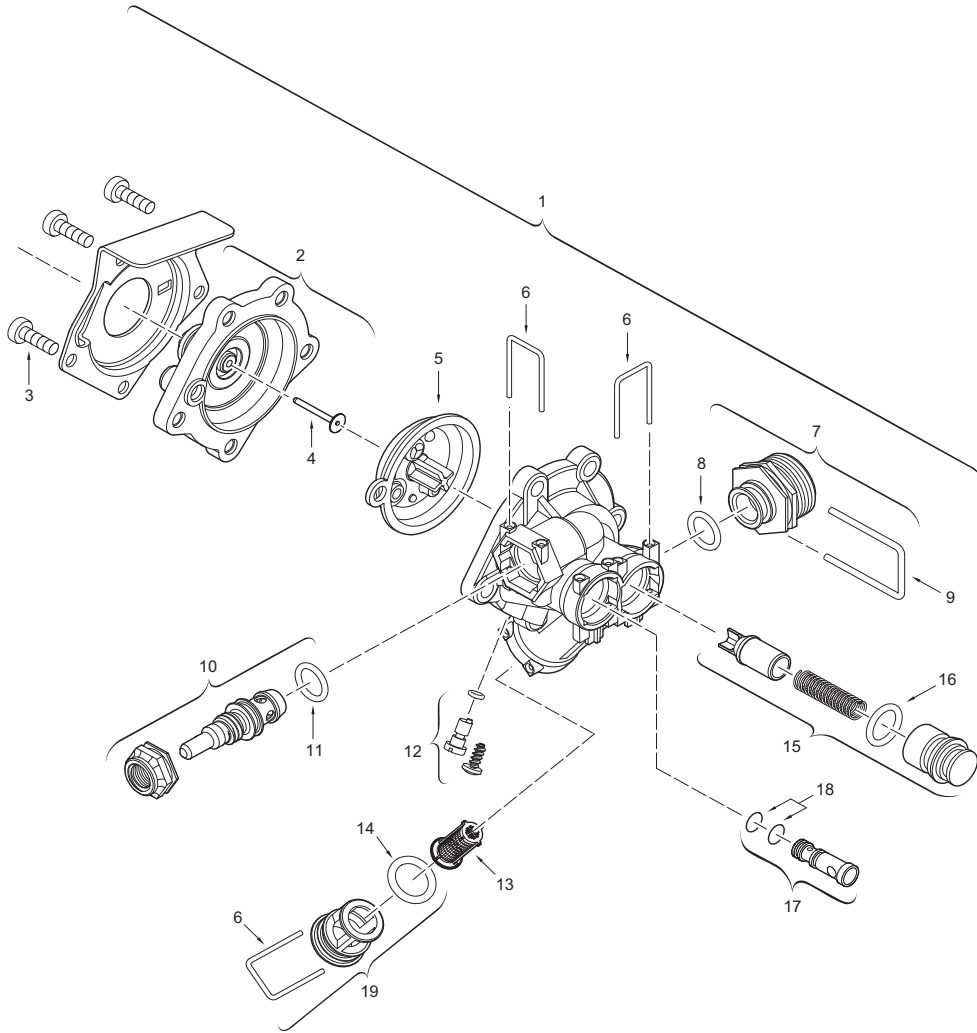
BOSCH
Invented for life

Section 4, continued from page 4

Position	Part Number	Description	Gas Type	GWH 260 PN	GWH 425 PN	330 PN	520 PN	Recommended Stocking	
								Distributor	Contractor
1	87070213950	Gas valve	NG	•	•	•	•		
1	87070213960	Gas valve	LP	•	•	•	•		
3	87434010020	Screw M5X12 steel phillips hd		•	•	•	•		
4	87002050010	O-ring (10x)		•	•	•	•		
5	87010040440	Washer (10x)		•	•	•	•		
6	87046030670	Compression spring		•	•	•	•		
7	87085003580	Poppet valve head (2)	NG	•	•				
7	87085003580	Poppet valve head (2)	NG			•	•		
7	87085003590	Poppet valve head (3)	LP	•	•				
7	87085003590	Poppet valve head (3)	LP			•	•		
8	87085002470	Poppet valve head (2)	NG	•	•				
8	87085002470	Poppet valve head (2)	NG			•	•		
8	87085002490	Poppet valve head (3)	LP	•	•				
8	87085002490	Poppet valve head (3)	LP			•	•		
9	87402050020	O-ring (10x)		•	•	•	•		
10	87082003260	Pilot injector (3C)	LP	•	•	•	•		
10	87082003270	Pilot injector (4C) (10x)	NG	•	•	•	•		
11	87085003010	Pilot valve		•	•	•	•		
12	87072010280	Magnetic unit		•	•	•	•		
13	87034011010	Screw (10x)		•	•	•	•		
14	87080080690	Valve operation housing		•	•	•	•		
15	87010040430	Washer (10x)		•	•	•	•		
16	87085001950	Poppet valve head		•	•	•	•		
17	29160809040	Retaining ring (10x)		•	•	•	•		
18	87010003800	Guide plate		•	•	•	•		
19	29106124240	Screw no8x3/8" phillips (10x)		•	•	•	•		
20	87007153510	Gas supply pipe		•	•	•	•		
21	87002051360	O-ring (10x)		•	•	•	•		
22	87046031180	Compression spring		•	•				
22	87046031180	Compression spring				•	•		
23	87033052830	Sealing screw		•	•	•	•		
24	87074060830	Gas pressure regulator	LP	•	•	•	•		
24	87074060840	Gas pressure regulator	NG	•	•	•	•		
25	87387022130	Poppet valve head (GN)	NG			•	•		
25	87387022140	Poppet valve head (LPG)	LP			•	•		
26	87001031120	Washer (10x)				•	•		

330 / 520 PN GWH 260 / 425 PN

Section 5



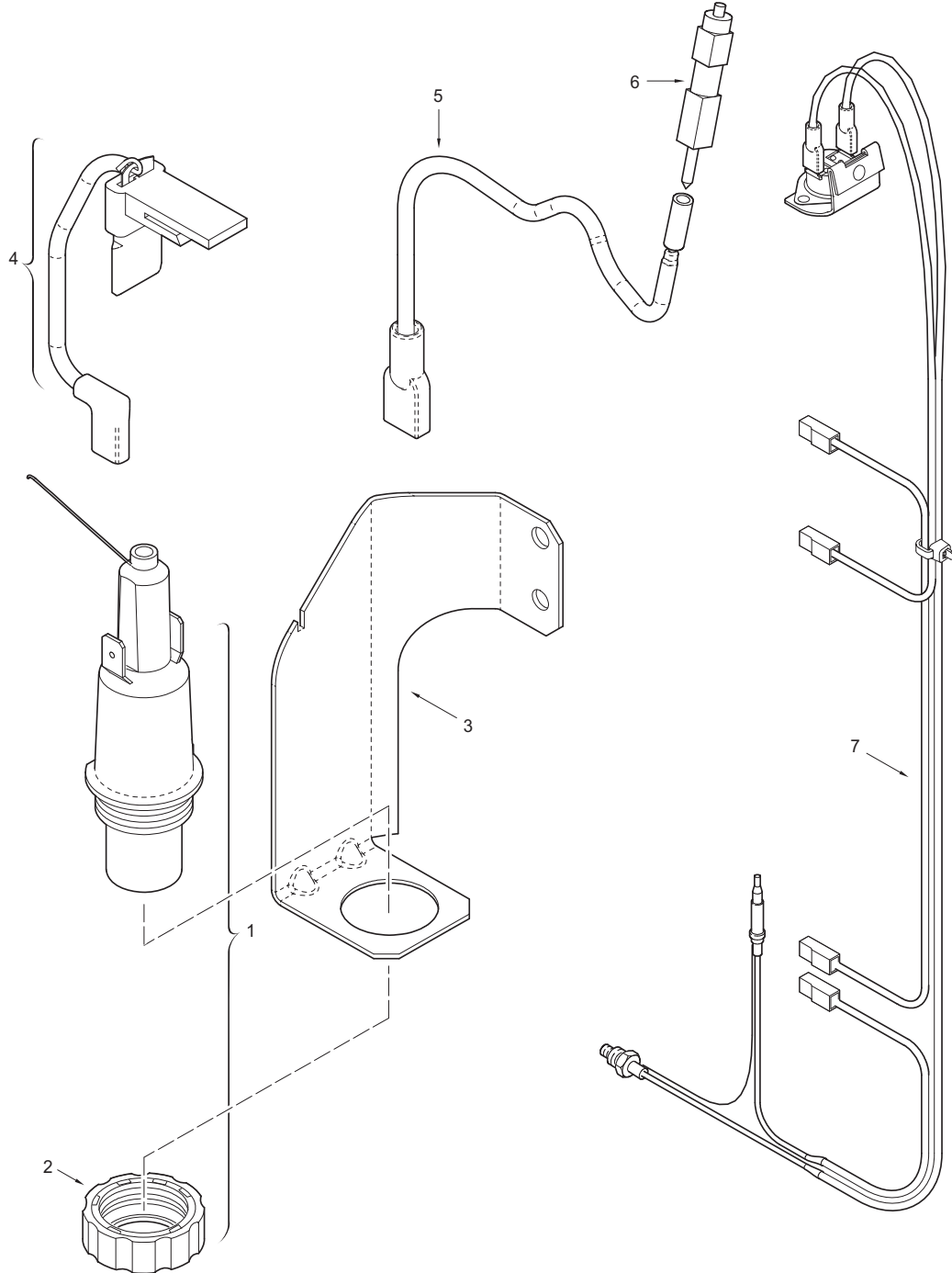
Position	Part Number	Description	GWH 260 PN	GWH 425 PN	330 PN	520 PN	Recommended Stocking	
							Distributor	Contractor
1	87070062860	Water valve	•		•		<input type="checkbox"/>	<input type="checkbox"/>
1	87070063440	Water valve		•		•	<input type="checkbox"/>	<input type="checkbox"/>
2	87055001050	Cover	•	•	•	•		
3	87034010840	Screw (10x)	•	•	•	•		
4	87032040510	Pushrod (10x)	•	•	•	•		
5	87005030790	Diaphragm (A)	•		•			
5	87005030840	Diaphragm (L)		•		•		
6	87047050290	Wire form spring (10x)	•	•	•	•		
7	87003061100	Inlet water connection	•	•	•	•		
8	87002051150	O-ring (10x)	•	•	•	•		
9	87047050240	Retaining clip	•	•	•	•		
10	87085003320	Flow control	•		•			
10	87085003040	Flow control		•		•		
11	87002050230	O-ring (10x)	•	•	•	•		
12	87035020390	Calibration screw	•	•	•	•		
13	87005070590	Inlet filter	•	•	•	•		<input type="checkbox"/>
14	87002051280	O-ring (10x)	•	•	•	•		
15	87057050340	Volumetric water governor	•	•	•	•		
16	87002051150	O-ring (10x)	•	•	•	•		
17	87082052790	Venturi (23s)	•	•	•	•		
18	87002050070	O-ring (10x)	•	•	•	•		
19	87003061480	Filter plug	•	•	•	•		

330 / 520 PN GWH 260 / 425 PN



BOSCH
Invented for life

Section 6



Position	Part Number	Description	GWH 260 PN	GWH 425 PN	330 PN	520 PN	Recommended Stocking	
							Distributor	Contractor
1	87081080510	Piezo igniter	•	•	•	•		
2	87433010250	Nut	•	•	•	•		
3	87013021810	Fixing bracket	•	•	•	•		
4	87071010020	Ignition locking device	•	•	•	•		
5	87044010400	Ignition lead	•	•	•	•		
6	87481070890	Sparking plug	•	•	•	•		
7	87072064450	Flue gas safety device	•	•	•	•	□	□

Standard Terms and Conditions of Sale

Portions of Bosch Thermotechnology Corp. Terms and Conditions of Sale can be found below. Please refer to our website: www.boschthermotechnology.com for complete Terms and Conditions of Sale.

1. GENERAL

- 1.1 Your purchase order(s), when accepted, will be subject to the Terms and Conditions of Sale found on www.boschthermotechnology.com. The terms and conditions referenced on www.boschthermotechnology.com constitute the entire agreement between you ("Buyer") and Bosch Thermotechnology Corp. ("BTC") with respect to the transaction(s) covered by your purchase order(s) as confirmed by BTC.
- 1.2 No modification or waiver of any of the terms and conditions found www.boschthermotechnology.com and no additional or different terms or conditions shall be effective unless (i) modified by BTC's quotation or sales modified by BTC's quotation or sales acknowledgement, or (ii) agreed to in a single writing signed by both parties. No oral agreement, course of performance or other means other than such written agreement signed by both parties expressly providing for such waiver shall be deemed to waive the terms of this document.

2. WARRANTY POLICY*

- 2.1 Unless a different limited written warranty is provided by BTC with the Goods, the terms and conditions of the warranty for the Goods shall be subject to the following limited written warranty. BTC warrants all Goods manufactured by it to be free from defects in material and workmanship for one year from the following:
 - 2.1.1 The date of installation if a warranty card has been received by BTC that sets forth the correct date of installation;
 - 2.1.2 The date of purchase if the date can be established by an invoice; or
 - 2.1.3 The date of manufacture if the information required in 5.1.1 or 5.1.2 is not available.

Buyer's sole and exclusive remedy under this warranty shall be limited to either the repair or exchange of warranted products, at BTC's option FCA BTC's factory. No attempt to repair or improve the Goods or parts by any of BTC's representatives shall change or extend this warranty.

2.2 Limitations on Warranty

THE FOREGOING WARRANTY IS EXPRESSLY IN LIEU OF ANY OTHER WARRANTIES, EXPRESSED OR IMPLIED, INCLUDING BUT NOT LIMITED TO THE IMPLIED WARRANTIES OF MERCHANTABILITY OR FITNESS FOR A PARTICULAR PURPOSE.

The above warranty does not apply to specialty items or modifications to Goods, which as detailed in section 12.2 of Terms and Conditions of Sale found on www.boschthermotechnology.com, are purchased "AS IS".