

Parts List

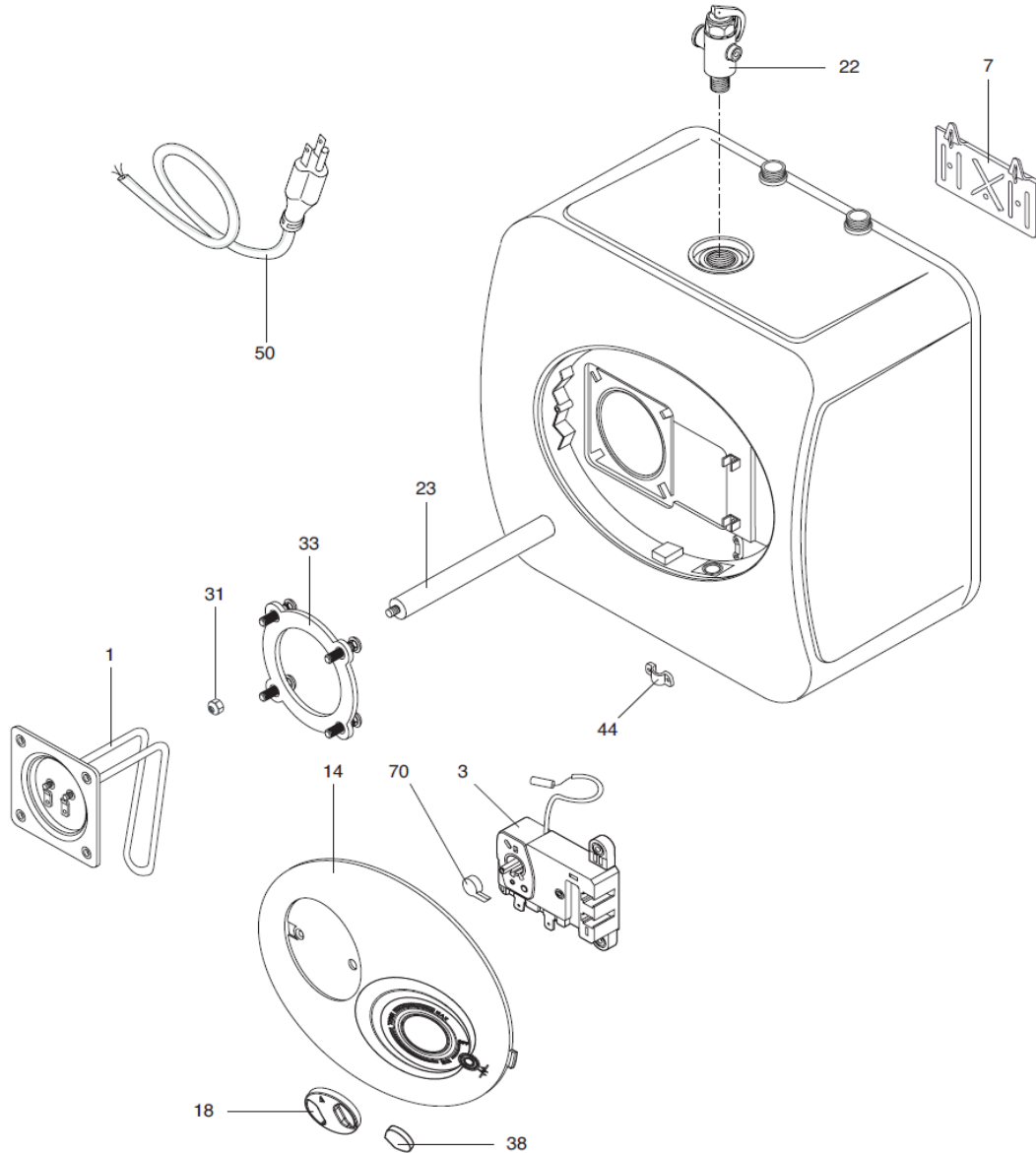
Tronic 3000T

ES 2.5 / 4 / 8



BOSCH
Invented for life

Complete Assembly



Position	Part Number	Description	Recommended Stocking	
			Distributor	Contractor
1	87387044390	Heating element 1440W 120V	<input type="checkbox"/>	
1	87387044400	Heating element 2500W 120V	<input type="checkbox"/>	
3	87387044410	Thermostat Wired ES2.5_4	<input type="checkbox"/>	<input type="checkbox"/>
3	87387044420	Thermostat Wired ES8	<input type="checkbox"/>	<input type="checkbox"/>
7	87387044430	Fixing support		
14	87387044460	Plastic cover		
18	87387044440	Knob		
22	87387044450	Safety valve 3/4		
23	87387044470	Anode D:14 L:155 M4	<input type="checkbox"/>	<input type="checkbox"/>
23	87387044480	Anode D:16 L:195	<input type="checkbox"/>	<input type="checkbox"/>
31	87387044490	Nut M6		
33	87387044500	Gasket		
38	87387044510	Lamp cover		
44	87387044520	Cable clamp		
50	87387044530	Power cable		
70	87387044540	Lever thermostat		

Standard Terms and Conditions of Sale

Portions of Bosch Thermotechnology Corp. Terms and Conditions of Sale can be found below. Please refer to our website: www.boschthermotechnology.com for complete Terms and Conditions of Sale.

1. GENERAL

- 1.1 Your purchase order(s), when accepted, will be subject to the Terms and Conditions of Sale found on www.boschthermotechnology.com. The terms and conditions referenced on www.boschthermotechnology.com constitute the entire agreement between you ("Buyer") and Bosch Thermotechnology Corp. ("BTC") with respect to the transaction(s) covered by your purchase order(s) as confirmed by BTC.
- 1.2 No modification or waiver of any of the terms and conditions found www.boschthermotechnology.com and no additional or different terms or conditions shall be effective unless (i) modified by BTC's quotation or sales modified by BTC's quotation or sales acknowledgement, or (ii) agreed to in a single writing signed by both parties. No oral agreement, course of performance or other means other than such written agreement signed by both parties expressly providing for such waiver shall be deemed to waive the terms of this document.

2. WARRANTY POLICY*

- 2.1 Unless a different limited written warranty is provided by BTC with the Goods, the terms and conditions of the warranty for the Goods shall be subject to the following limited written warranty. BTC warrants all Goods manufactured by it to be free from defects in material and workmanship for one year from the following:
 - 2.1.1 The date of installation if a warranty card has been received by BTC that sets forth the correct date of installation;
 - 2.1.2 The date of purchase if the date can be established by an invoice; or
 - 2.1.3 The date of manufacture if the information required in 2.1.1 or 2.1.2 is not available.

Buyer's sole and exclusive remedy under this warranty shall be limited to either the repair or exchange of warranted products, at BTC's option FCA BTC's factory. No attempt to repair or improve the Goods or parts by any of BTC's representatives shall change or extend this warranty.

2.2 Limitations on Warranty

THE FOREGOING WARRANTY IS EXPRESSLY IN LIEU OF ANY OTHER WARRANTIES, EXPRESSED OR IMPLIED, INCLUDING BUT NOT LIMITED TO THE IMPLIED WARRANTIES OF MERCHANTABILITY OR FITNESS FOR A PARTICULAR PURPOSE.

The above warranty does not apply to specialty items or modifications to Goods, which as detailed in section 12.2 of Terms and Conditions of Sale found on www.boschthermotechnology.com, are purchased "AS IS".