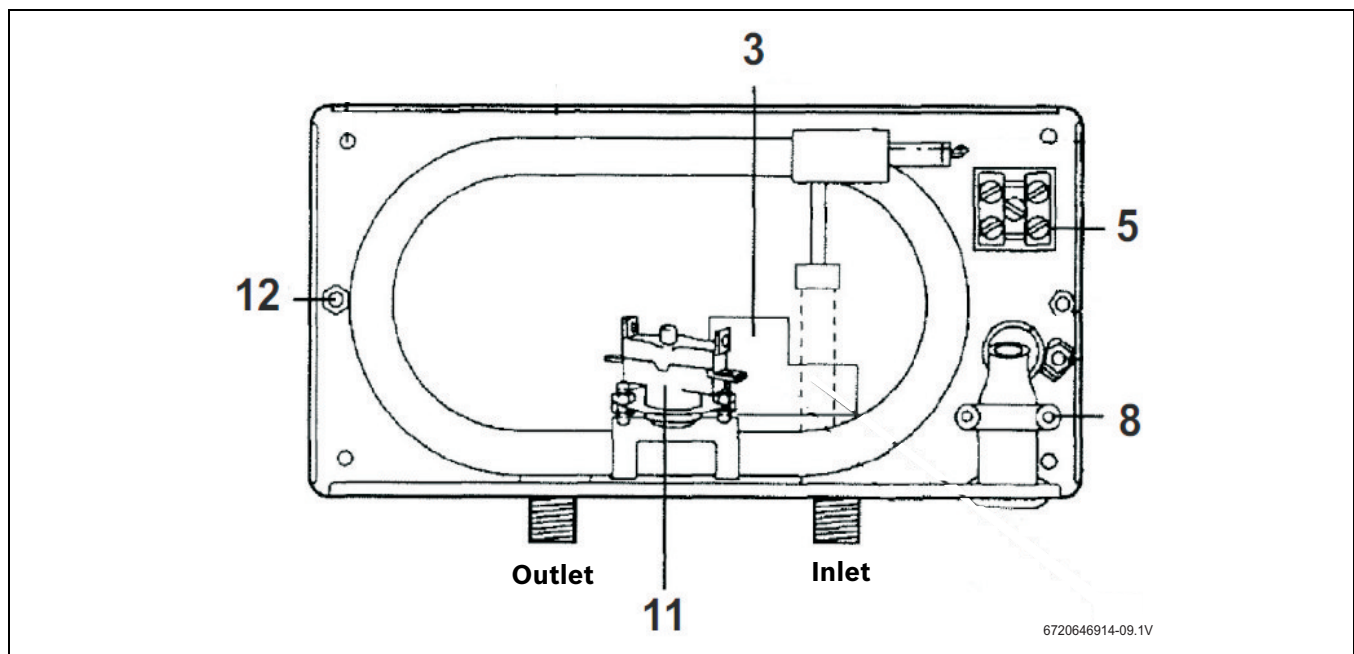


## Interior Components & Parts List

Powerstar AE12 Model



Number	Code	Comp. description
3	8-738-700-872-0	12 kW Printed Circuit Board (Thermostatic)
5	8-738-700-869-0	Terminal Block
8	8-738-701-695-0	Cable Clamps & Rubber Boot
---	8-738-701-709-0	Front Cover (not shown)
11	8-738-700-870-0	Thermal Cut-out
12	8-738-700-862-0	Cover Retaining Screws