



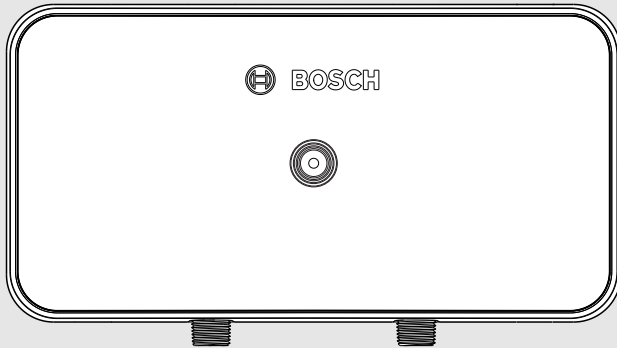
BOSCH

Spare Parts Diagram

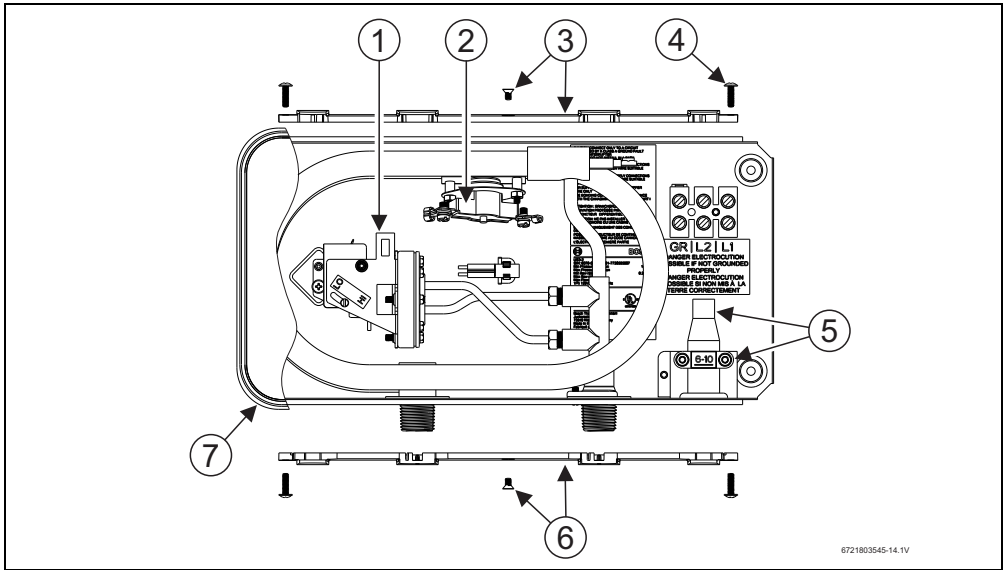
Electric water heaters

TRONIC 3000

Models:US3-2R, US4-2R, US7-2R & US9-2R



Interior components and parts list



6721803545-14.1V

Number	Code	Comp. description
1	8-738-726-324	Flow Switch
2	8-738-700-866-0	Thermal Cut-Out Assembly (Manual Re-set)
3	8-738-726-321	Upper trim & screw
4	8-738-726-325	Cover Retaining Screws (x4)
5	8-738-701-695-0	Cable Clamp and Rubber Boot
6	8-738-726-323	Lower Trim & screw
7	8-738-726-326	Front Cover - (partially shown)