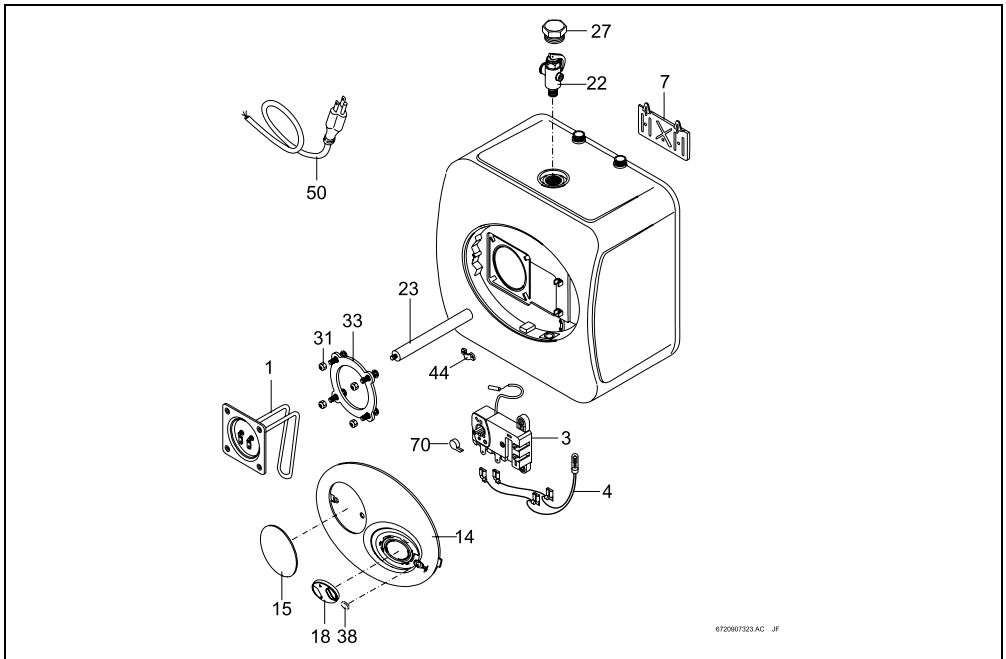


Bosch interior component diagram (Tronic 3000T ES2.5CA/ES4CA/ES8CA)


Part	Description	TTNR	Model
1	HEATING ELEMENT 1440W	8 738 704 439 0	ES2.5CA / ES4CA
	HEATING ELEMENT 1440W	8 738 704 440 0	ES8CA
3	WIRED THERMOSTAT	8 738 711 260	ES2.5CA / ES4CA
	WIRED THERMOSTAT	8 738 711 261	ES8CA
4	NEON LAMP	8 738 727 579	ES2.5CA / ES4CA / ES8CA
7	HEATER WALL HANGING BRACKET	8 738 704 443 0	ES2.5CA / ES4CA / ES8CA
14	PLASTIC COVER	8 738 725 248	ES2.5CA / ES4CA / ES8CA
18	KNOB	8 738 704 444 0	ES2.5CA / ES4CA / ES8CA
22	VALVE T&P ¾	8 738 704 445 0	ES2.5CA / ES4CA / ES8CA
23	MAGNESIUM ANODE D:14 L:155 M4	8 738 704 447 0	ES2.5CA/ ES4CA
	MAGNESIUM ANODE D:16 L:195	8 738 704 448 0	ES8CA
31	LOCK NUT M6	8 738 704 449 0	ES2.5CA / ES4CA / ES8CA
33	GASKET WITH 4 BOLTS	8 738 704 450 0	ES2.5CA / ES4CA / ES8CA
38	SIGNAL LAMP CAP	8 738 704 451 0	ES2.5CA / ES4CA / ES8CA
44	CABLE CLAMP	8 738 704 452 0	ES2.5CA / ES4CA / ES8CA
50	POWER CABLE	8 738 704 453 0	ES2.5CA / ES4CA
70	LEVER THERMOSTAT	8 738 704 454 0	ES2.5CA / ES4CA / ES8CA

