

# Technical Service Bulletin: Checking The Draft

Models: 520HN, 520PN, 330PN



# BOSCH



## WARNING

**LP & NG are extremely flammable. Take extra precautions when performing any work to the heater.**

### Procedure

1. Close all doors and windows in the building.
2. Operate all fuel burning appliances and exhaust systems in the building with the exception of the tankless water heater. Allow time for these items to utilize the air in the structure. Up to one hour may be necessary.
3. Remove the cover from the tankless unit and hold a recently extinguished match, candle, or any other visible smoke source in front of the triangular opening on the draft diverter.
4. The smoke should be sucked quickly into the opening and up the exhaust vent. If the smoke is blown back, a negative air situation exists and must be corrected. See the combustion air section in the manual or Technical Service Bulletin: *Negative air and freeze prevention*.
5. Now run the heater for 10 minutes, then hold a smoke source at the top right side of the draft diverter. The smoke should be drawn in the louvers on the side. If this is not the case, the unit is not drafting properly and flue gases are being exhausted into the space in which the heater is installed. This is not safe and must be corrected. Reference the venting section in the manual to ensure venting is in accordance with the manufacturer's specifications.



## WARNING

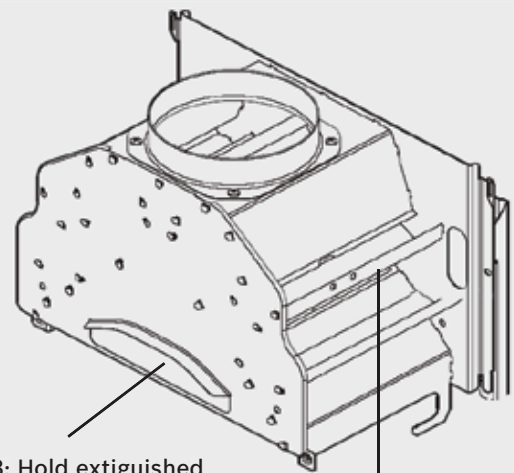
**Poor venting can result in excessive sooting around the water heater, overheating, and release dangerous carbon monoxide into the living space causing serious injury and/or death.**



## CAUTION

**Damage to the heater as a result of improper venting will not be covered under warranty.**

Figure 1



Step 3: Hold extinguished match here

Step 5: Hold extinguished match here



# BOSCH

Bosch Thermotechnology Corp.  
50 Wentworth Avenue  
Londonderry, NH 03053

Tel: 1-866-642-3198  
Fax: 1-603-584-1687  
www.boschpro.com