

Technical Service Bulletin: Greenstar Cascade Piping & Control Options

Models: Bosch Greenstar Combi, Bosch Greenstar



Introduction

It is possible to cascade the Bosch Greenstar up to four boilers using the ICM cascade control (part number: 7719 003 528). The piping and control arrangement should follow the diagrams attached.

The first diagram (Fig. 1) indicates the possible piping and control combinations along with the recommended pipe sizes when using a primary/secondary pipe system. The second (Fig. 2) displays the appropriate wiring when utilizing the ICM control with the Greenstar Boiler.

Figure 1

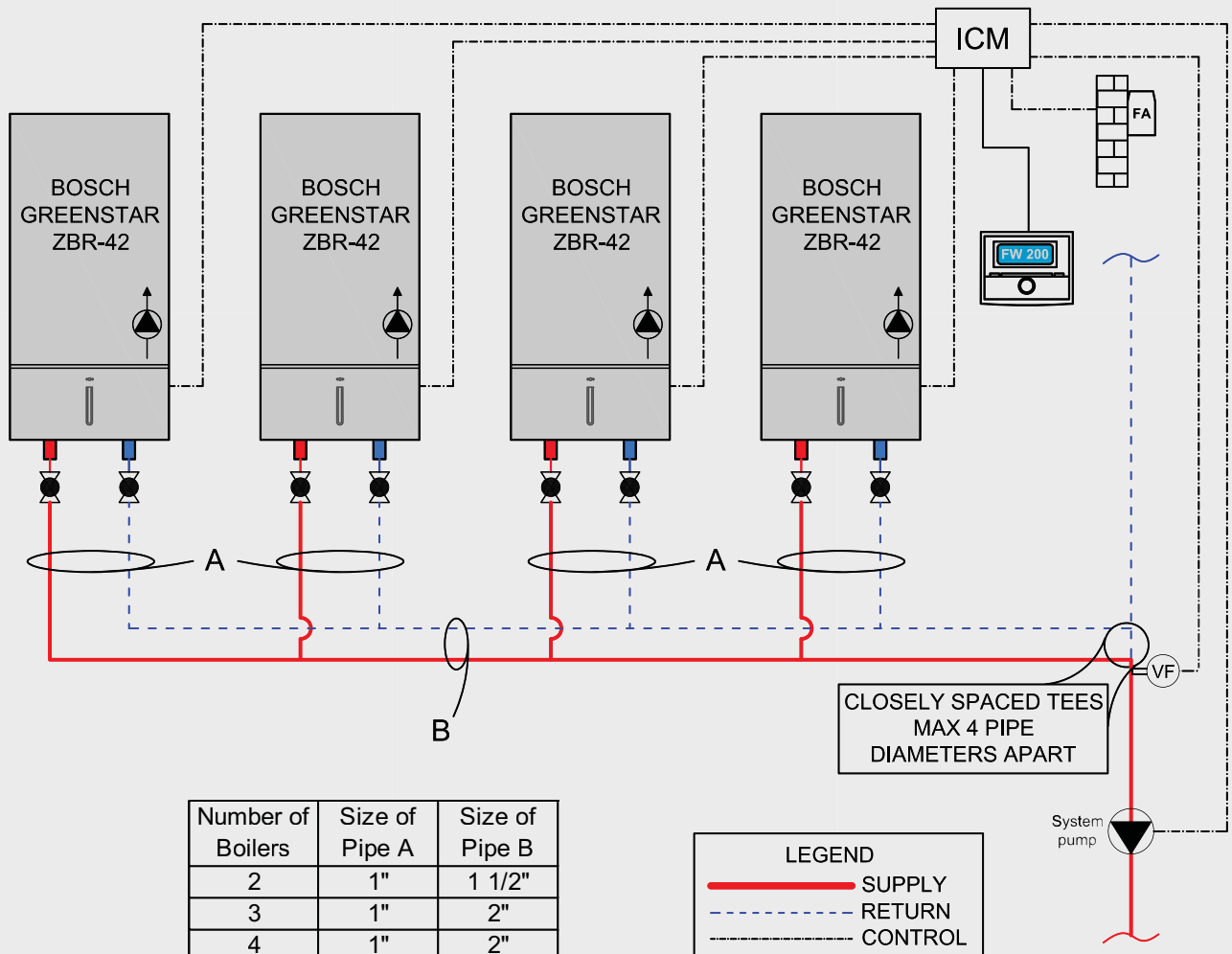
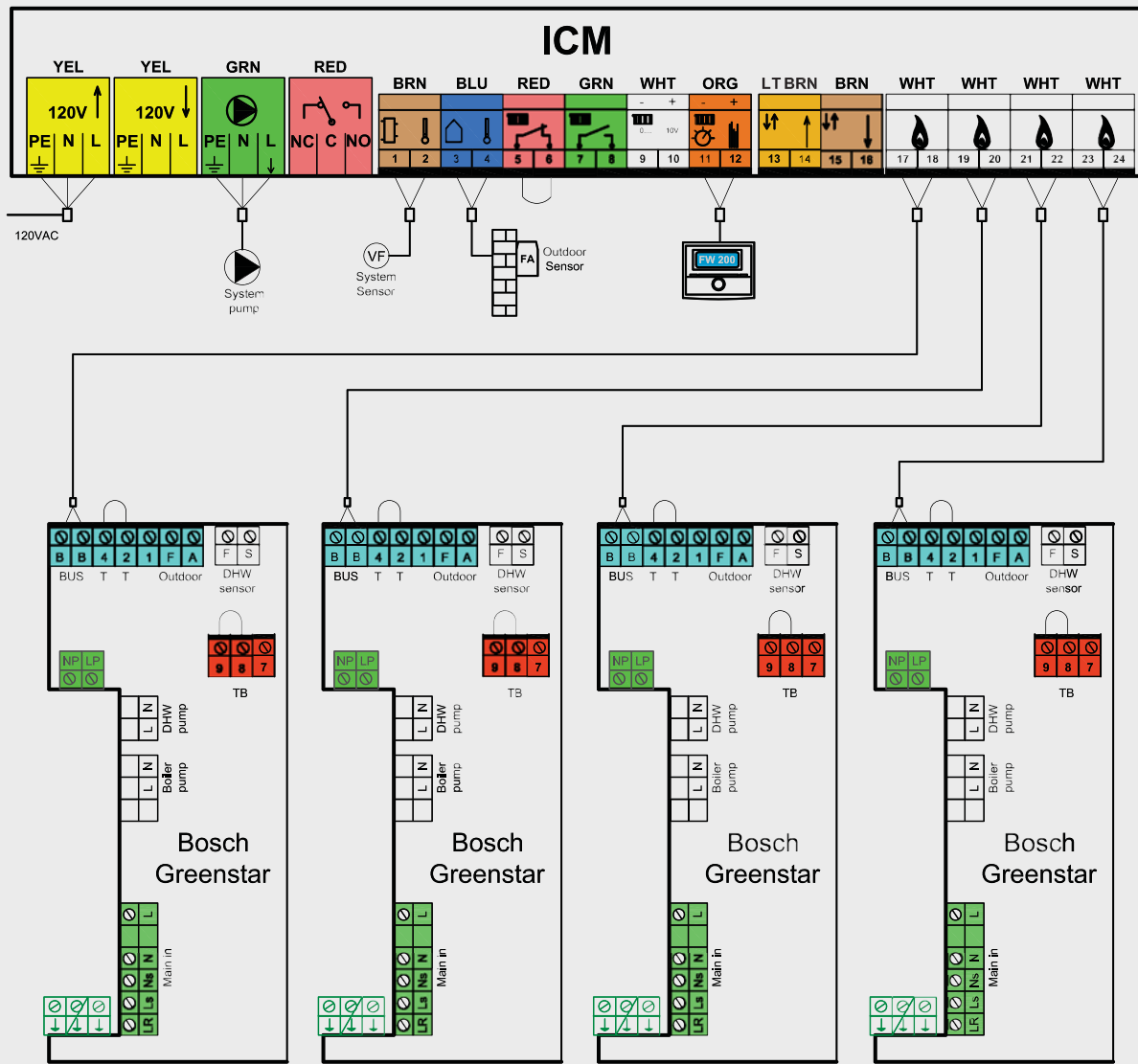


Figure 2



Bosch Thermotechnology Corp.
50 Wentworth Avenue
Londonderry, NH 03053

Tel: 1-800-283-3787
Fax: 1-603-965-7581
www.bosch-climate.us