

# FW 200 Control Quick Start Guide

Models: Bosch Greenstar



# BOSCH



This is a quick reference to highlight the BASIC programming of this control. For a more in depth understanding or complete programming of the control, please refer to the FW 200 Installation and Operating manuals.



At any time, pressing the Menu button (Fig.1, pos.3) will bring you back to the standard display.



The FW200 is sold separately, and is not compatible any of the NSC components (CZM100, CRC100, CRC200).

## Instructions for programming

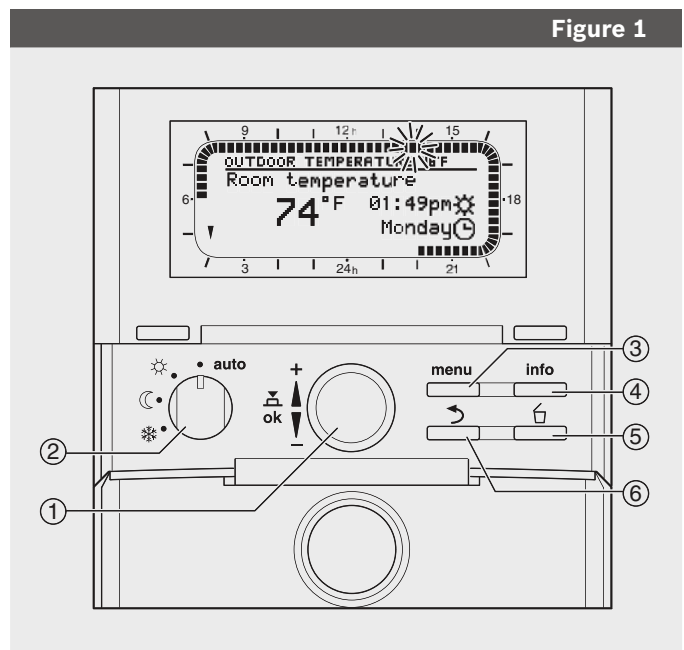
### ► Set Date and Time upon initial start-up

- Turn dial (Fig.1, pos.1) to adjust time and date. Press the dial to finalize your selection.
- You will be asked about System configuration, which is only necessary if you have added additional controls. If you see this prompt, press and hold the menu button (Fig.1, pos.3) until it disappears.

### ► Set Date and Time after initial programming

- Push the menu button once and release. On the display **Vacation** will be highlighted.
- Turn dial counter-clockwise until **General Settings** is highlighted.
- Push dial once and release. **Time and Date** will be highlighted.
- Push dial again and **Time** will be highlighted. Set time by pushing dial and rotating. Once complete, push again to lock in time setting.
- Turn dial until **Date** is highlighted. Set date by pushing dial and turning to select. Push dial once to lock in date setting.

Figure 1



\* Controller with front flap open

### ► Set for constant heating (no night set back)

This can be done two ways:

- 1) Turn selector (Fig.1, pos.2) to the Comfort Symbol (☀).
- 2) Or change programming.

To change programming:

- Press and release menu button. **Vacation** will be highlighted.
- Turn dial one click counter-clockwise to highlight **Heating** and push dial to select.
- Program will be highlighted. Push dial to select.
- **Activate** will be highlighted. Turn the dial one click to highlight **Edit** and push dial to select.
- Program A will be highlighted. Push dial to select.

- **Replace with preset program** will be highlighted. Turn the dial counter-clockwise to display **All days** and push dial to select.
- **P1** will be highlighted. Press the dial again and the display will flash.
- Turn dial one click clockwise to 12:00PM.
- Press the dial and rotate it until **Comf.** appears. The area around the display should fill in.
- Press dial again to lock in your program.
- Press the menu button to return to main display.

#### ► Set type of heating system



There are three separate default presets: **Baseboard, Radiators, Radiant Floor**. They have an approximate basepoint of 75°F. With this basepoint, the heating system will take some time to raise the room temperature in warmer weather. Please see the FW 200 Installation and Operating Instructions, “Heating circuit parameters” for more details on those presets. For a custom preset, see below.

- To open **INSTALLER SETTINGS**: press and hold the menu button for approx. 5 seconds. **System Configuration** will be highlighted.
- Turn dial one click counter-clockwise to highlight **Heating Parameters**.
- Press the dial, **Heating Circuit 1** will be highlighted.
- Press dial and **Heating circuit type** will be highlighted.
- Press dial and **Radiators** will be highlighted.
- Press dial again and **Radiators** will flash.
- Turn the dial to choose **Baseline/Design temp.**
- Press the dial, **Heating circuit type** will be highlighted.
- Turn the dial counter-clockwise. **Base Line** will be displayed.
- Press the dial and **78°F (25 °C)** will flash. This is the supply temperature at 65 °F (18 °C) outdoor temperature.
- Set accordingly (Fig. 2).
- Press the dial to confirm the setting.



For hydroair systems, the minimum supply temperature must be raised to the turn on temperature for that coil.

- Turn the dial until **Design Temp** is highlighted. Press the dial and **168°F (75°C)** will flash. This is the supply temperature at 5 °F (– 15 °C) outdoor temperature.
- Set accordingly (Fig.2).
- Press the dial to confirm the setting.



Refer to FW 200 Installation and Operating Instructions for more custom settings.

### Figure 2

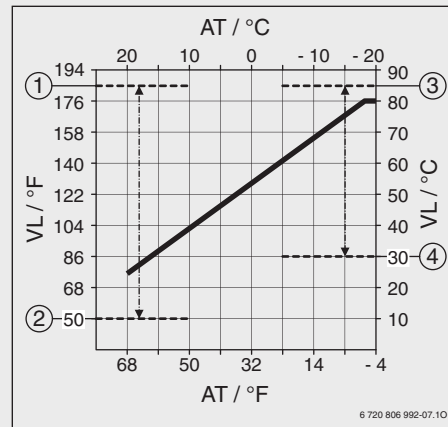


Fig. 2 Legend

- [1] Maximum Base Line Adjustment 186 °F (85 °C)
- [2] Minimum Base Line Adjustment 50 °F (10 °C)
- [3] Maximum Design Temperature Adjustment 186 °F (85 °C)
- [4] Minimum Design Temperature Adjustment 86 °F (30 °C)
- AT Outdoor temperature
- VL Supply temperature

- Turn the dial counter-clockwise until **Maximum heating supply temperature** is highlighted.
- Press the dial
- Turn the dial to set the desired value.
- Press the dial to confirm the setting.
- Press menu button to return to main display.

#### ► Adjust warm weather shut down (WWSD)

- Press and hold the menu button for about 5 seconds. **System Configuration** will be highlighted.
- Turn dial one click counter-clockwise to highlight **Heating Parameters** and push dial to select.
- **Heating Circuit 1** will be highlighted.
- Turn the dial counter-clockwise until **Heating OFF at outdoor temperature** is highlighted.
- Press the dial and the display will flash. The default value is 68 °F (25 °C) and is adjustable from 50 °F (10 °C) to 77 °F (25 °C). Turning above 77 °F (25 °C) will move it to 210 °F (99 °C), which disables WWSD.
- Press the dial to confirm the setting.

To restore to factory defaults, hold the Delete button (Fig.1, pos.5) and the Menu button simultaneously for about 10 seconds. A count down display will appear. This will restore factory defaults. The only program that will be held is the date and time.



# BOSCH

Bosch Thermotechnology Corp.  
50 Wentworth Avenue  
Londonderry, NH 03053

Tel: 1-866-642-3198  
Fax: 1-603-965-7581  
www.boschheatingandcooling.com