

## Service Bulletin: TWH-G2-14

Model: 250SX, 635ES, 2400E

# Installation manual supplement Twin pipe requirement for freezing climates



# BOSCH

### ATTENTION INSTALLER!

This bulletin is a supplement to the Bosch 250SX, 635ES and 2400E installation manuals. The following information applies to all existing versions of this installation manual. Failure to follow the instructions below may result in freeze damage to the appliance that is not covered under the manufacturer's warranty.

### Reference Documents

- ▶ GWH635ES installation manual - 6 720 608 108 US (all versions)
- ▶ GWH250SX installation manual - 6 720 607 057 US (all versions)
- ▶ GWH2400E installation manual - 6 720 608 263 US (all versions)

### Requirements



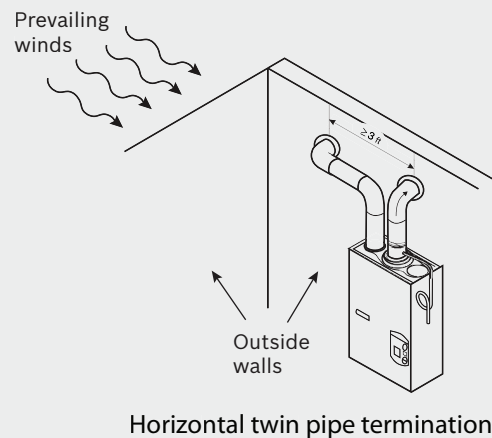
#### WARNING:

In areas where outside temperatures routinely come close to freezing, sealed combustion operation is required.

- Combustion air and exhaust venting must terminate outside the structure on the **SAME** wall or roof surface/plane.
- Combustion air and exhaust venting must use separate terminations.
- Combustion air and exhaust venting shall not terminate outside the structure facing the direction of prevailing winds.

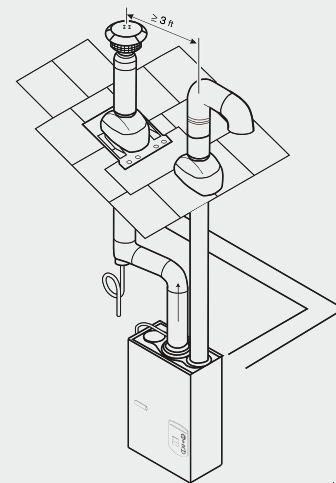
See Figure 1 and Figure 2 for venting configuration examples.

Figure 1



Horizontal twin pipe termination

Figure 2



Vertical twin pipe termination



**BOSCH**

Bosch Thermotechnology Corp.  
50 Wentworth Avenue  
Londonderry, NH 03053

Tel: 1-866-642-3198  
Fax: 1-603-584-1681  
[www.boschhotwater.com](http://www.boschhotwater.com)