

Service Bulletin: TWH-G2-16

Model: 250SX, 250SXO, 635ES, 635ESO, 2400E, 2400EO

E9 Error Code Troubleshooting



BOSCH

Introduction

Follow the procedures below and report results to Bosch Technical Support. This will assist in determining the cause and solution to the problem.

E9 Error code explanation:

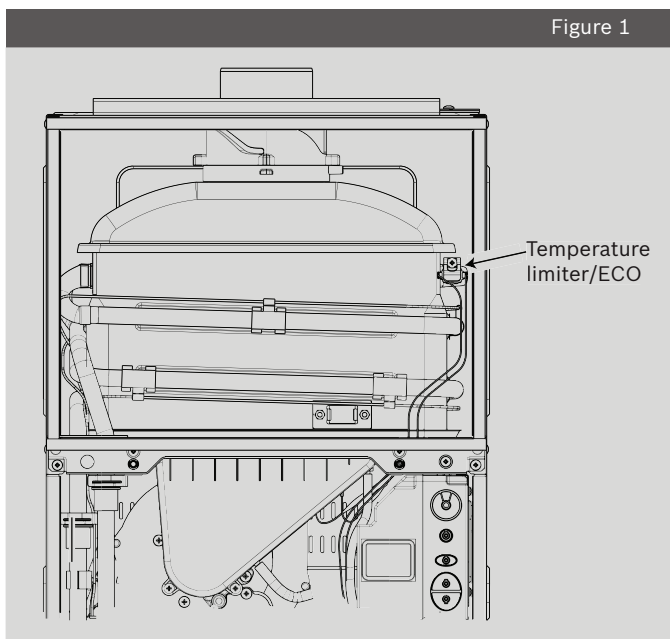
Temperature over 220° F at temperature limiter/ECO. The temperature limiter/ECO resets automatically when it cools but the error code will have to be reset manually using the reset button on the control board.

Tools needed:

- ▶ Ohmmeter/ multimeter
- ▶ Phillips head screwdriver

Procedure

1. Check temperature limiter/ECO on upper right side of copper heat exchanger (Fig. 1):



- a. White wire connections must be tight and clean on limiter/ECO
- b. White wire connections must be tight in wire harness.
- c. Turn off power to heater and run cold water only through heater for three minutes. Check continuity through temperature limiter. If open (no continuity), replace limiter.

2. E9 error code may indicate scale build up in heat exchanger. In more advanced cases, E9 may be accompanied by E1, A7 and/or banging or knocking noises when heater is operating. See bulletin G2-13 for descaling heat exchanger.



BOSCH

Bosch Thermotechnology Corp.
50 Wentworth Avenue
Londonderry, NH 03053

Tel: 1-800-642-3111
Fax: 1-603-584-1681
www.boschhotwater.com